

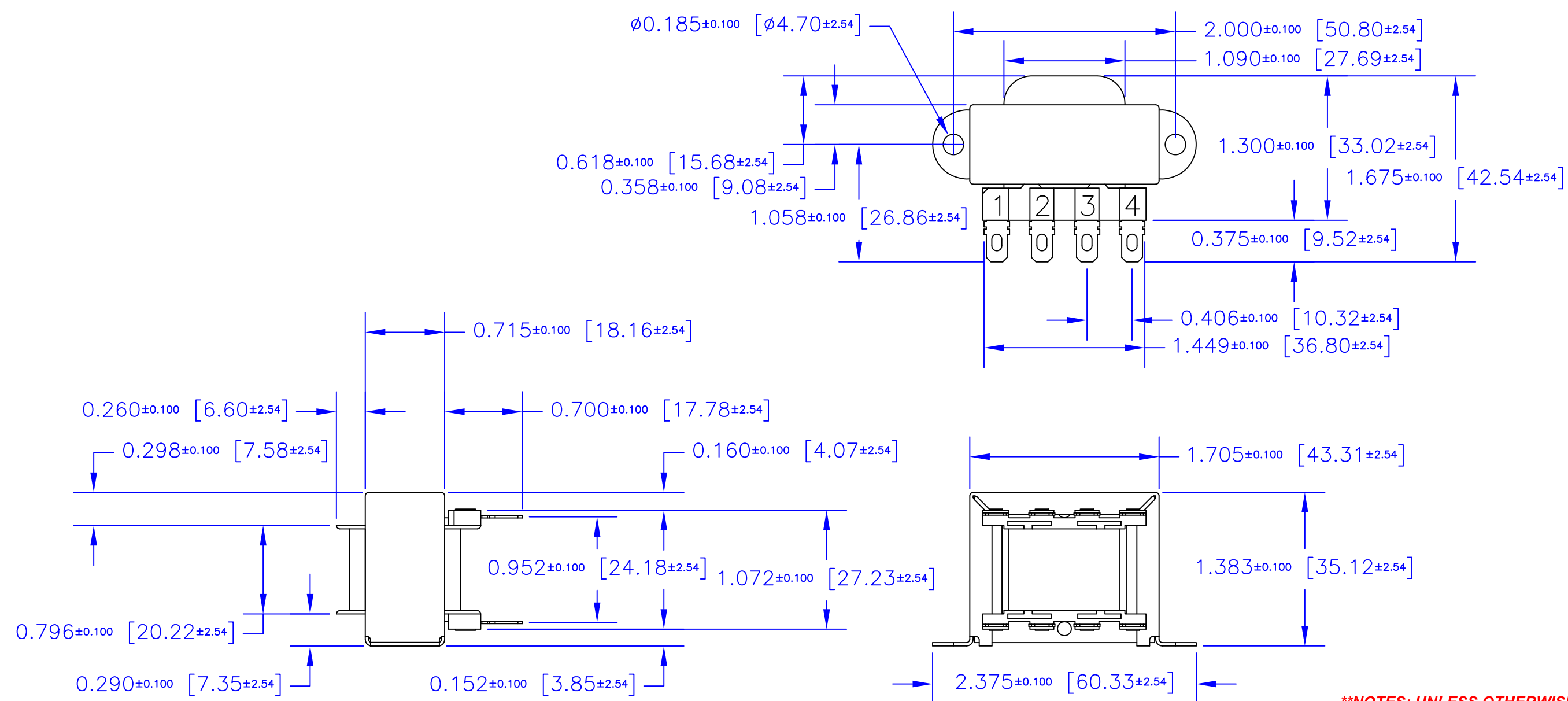
4

3

2

1

REVISIONS				
ZONE	REV	DESCRIPTION	DATE	APPROVED



****NOTES: UNLESS OTHERWISE SPECIFIED!**

1. All material is UL listed.
2. All material are to be RoHS compliant.
3. Bobbin: Nylon 6/6 30% glass filled, Class B, Flammability 94HB UL E184262.
4. Magnet Wire: Class B, UL E32638, Gauge depending on the transformer design specifications requirement.
7. Finish Tape: Polyester film tape, Class 130°, dielectric strength 5000 volts, UL E17385, guide OANZ2.
8. Core Material: Depending on the transformer design specifications requirement.
6. Termination: 0.1875" quick disconnects.
7. Mounting: Zinc plated steel channel/frame.
8. Finish: Styrenated alkyd electrical varnish, air cured, UL E63933.

DIMENSIONS ARE IN INCHES (MILLIMETERS). X.XXX = ±0.010 X.XX = ±0.03 ANGLES = ±0.05 UNLESS OTHERWISE SPECIFIED		EDCOR Electronics 7130 National Parks Highway, Carlsbad, NM 88220 Voice: (575)887-6790 Fax: (575)887-6880 www.edcorusa.com		
DRAWING BY Brian Weston		Date 4/2003		
CHECKED BY Brian Weston		Date 4/2003		
APPROVED BY Larry Weston		Date 4/2003		
SIZE C		FSCM NO. 15000-EI050-625-18		REV 1
SCALE: 1:1		©2010 EDCOR Electronics		SHEET: 1 of 1

4

3

2

1