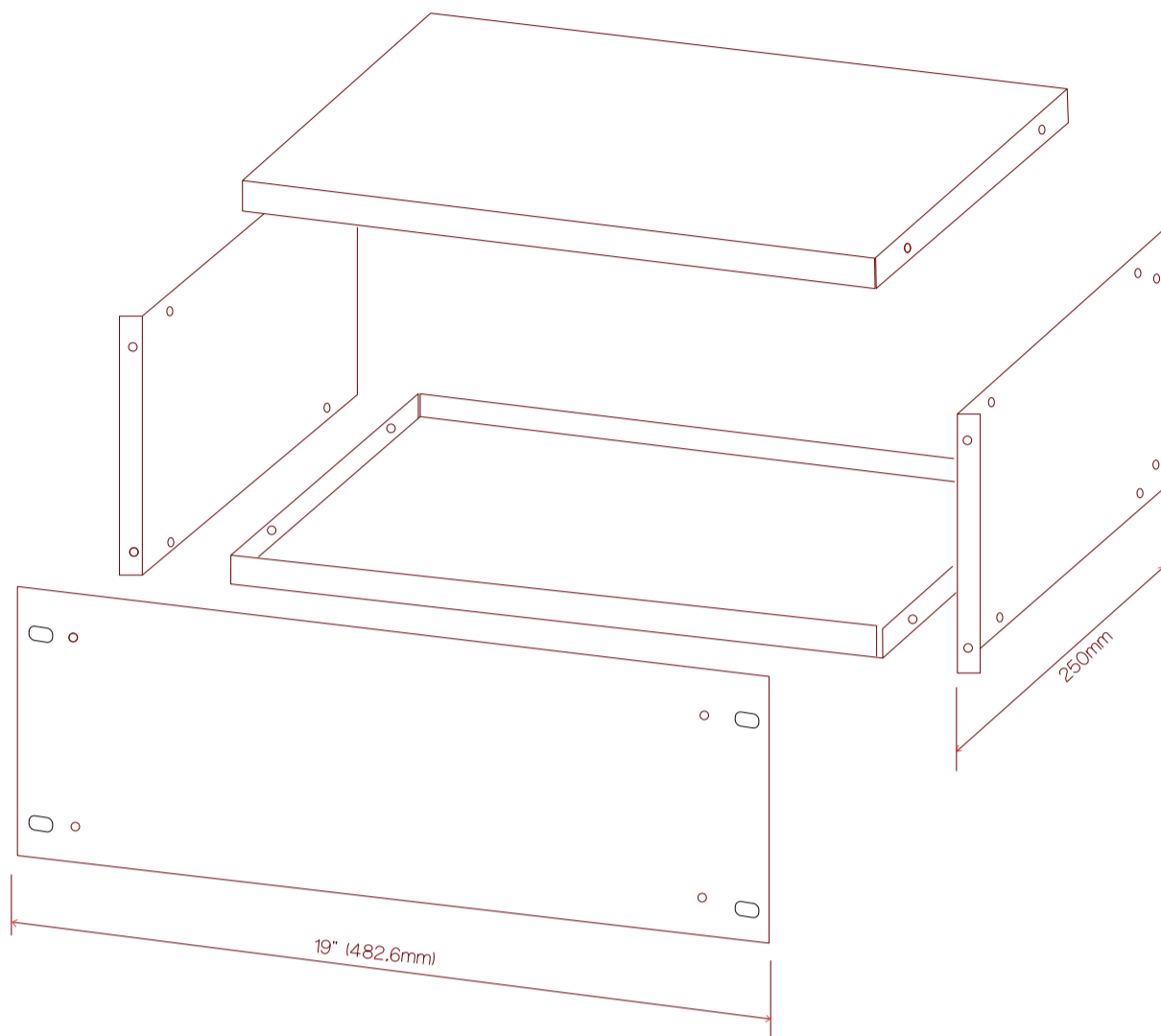
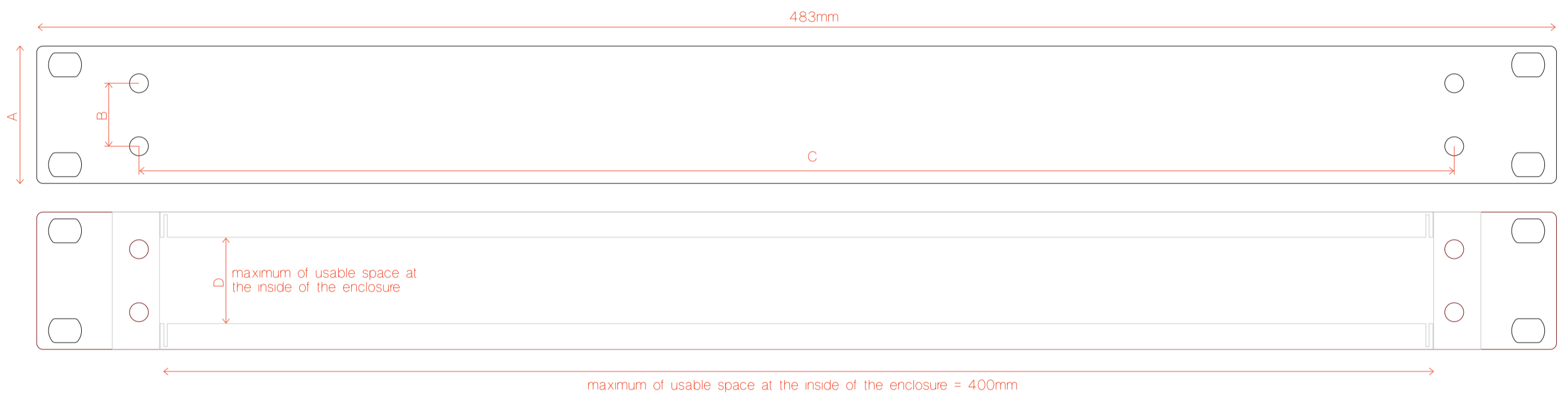




NRG INDUSTRIAL ENCLOSURE



FRONT PANEL



Enclosure Type	A	B	C	D
1U/1HE Enclosure	43.6mm	20mm	418mm	28.6mm
2U/2HE Enclosure	88.1mm	64mm	418mm	73.1mm
3U/3HE Enclosure	132.5mm	96mm	418mm	117.5mm
4U/4HE Enclosure	177mm	168mm	418mm	162mm

REAR PANEL



Enclosure Type	A	B
1U/1HE Enclosure	41mm	33mm
2U/2HE Enclosure	85mm	77mm
3U/3HE Enclosure	129.5mm	120.5mm
4U/4HE Enclosure	177mm	168mm