

# Audio Level Presenter



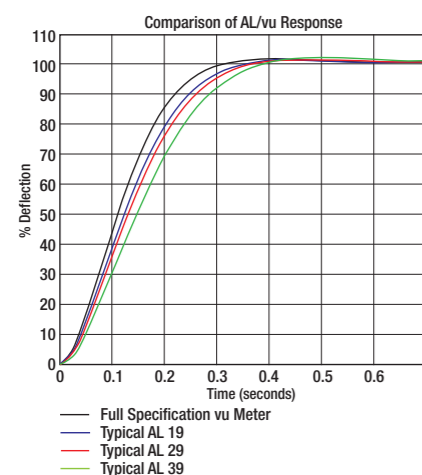
A division of Sifam Tinsley Precision Instrumentation Ltd

## Comparison of full specification vu meters and Audio Level Presenter range

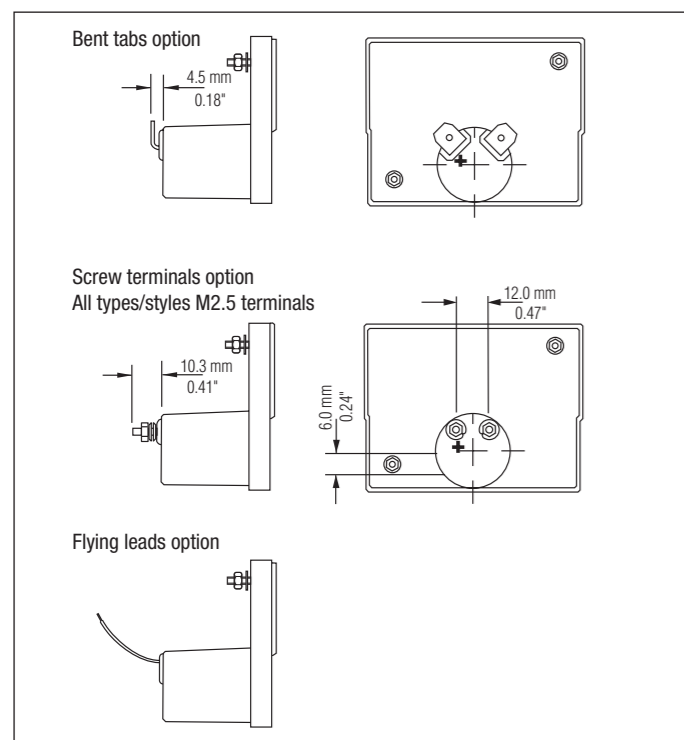
The response curves below give a comparison of the full specification vu meters with that of a Audio Level Presenter 19, 29 and 39.

A low range ac voltmeter offering a performance close to that of a full specification vu meter. Suitable for connecting across a 600Ω line and self contained except for requiring an external 3k6 resistor. Calibrated for use with a 3k6 ohm resistor 4vu above the scale marking so that the reference deflection (0vu) is produced by a signal 4vu above 1mW in 600Ω (1.228V). The performance of the meter is based upon the requirements IEC 268-17.

The response curves below give a comparison of the full specification vu meter with that of typical AL19, AL29 and AL39 meters. A variation in over swing between 0 and 5% can occur since the damping is not individually adjusted on each AL meter but allowed to fall within normal process parameters.



## Terminals

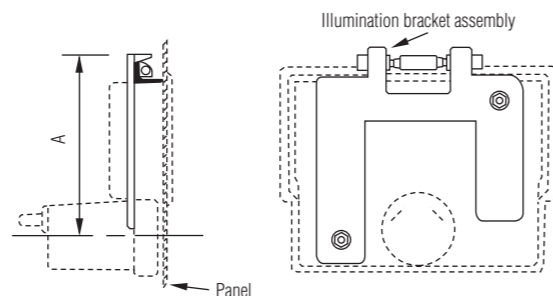


## Illumination

Illumination is available in either of the three forms below. Please contact the sales office for full information.

### Overhead

Available for types 19W, 19WF, 29W, 29WF, 39W, 39WF.  
Unit contains Ø6mm festoon style lamp available in 6V, 12V, or 24V.

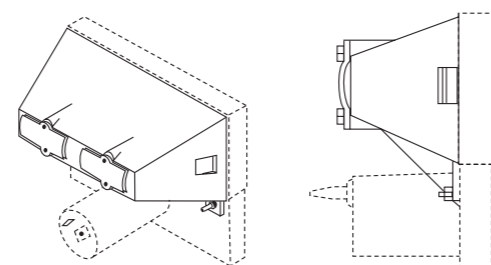


Type	Dimension A
AL19	33.5mm/1.33"
AL29	55.5mm/2.19"
AL39	68.5mm/2.69"

### Light box

Available for all styles for types 29, 39. The meter fixing studs occupy different positions and rectangular panel cut-outs are required for styles M, B. Drawings are available on request.

Unit is available with either festoon style or T1½ flanged lamps available in 6V, 12V, 24V. T1½ flanged LEDs are also available in either 12V or 24V. (One lamp on type 29, two lamps on type 39).



### LED Illumination

Internal LED illumination is also available for most sizes and types. Please contact the sales office for full information.

As part of our policy of continuous product improvement we reserve the right to change specifications at any time.

## Europe

Sifam Tinsley Instrumentation Ltd

Central Building, Woodland Close,  
Old Wood Trading EA, Torquay,  
Devon, England, TQ2 7BB

Tel : +44 (0) 1803 615139

Fax : +44 (0) 1803 616800

Email : sales@sifamtinsley.com

Web : www.sifamtinsley.com



# Audio Level Presenter

## Types AL19, AL29, AL39

The Present or Audio Level range of analogue panel meters complements the proven and popular Industrial and Fast Response series. The range is available in three sizes each in four styles and offers a performance not significantly different from full specification vu meters to meet today's audio market requirement for quality at affordable prices.

## Features and benefits

- Choices of four styles, each available in three sizes
  - Simple back of panel mounting
  - Back of panel mounting with accompanying bezel
  - Front of panel mounting with lower mask
  - Front of panel with full bezel
- Constructed with transparent acrylic front and high impact translucent rear body moulding. Masks and bezels, moulded in black ABS
- Taut band centre magnet movement incorporated as standard with 26mm diameter barrel. There is no calibration effect when mounted on a ferrous panel.
- The rugged movement makes the meters equally suitable for portable or fixed applications

## Specification

A low range ac voltmeter offering a performance close to that of a full specification vu meter. Please refer to back page for full specification details.

## Pointer & Dials

The combination of tube pointer and flattened arc scale on translucent buff coloured dial results in an easily read meter, even when monitoring a row on a large console. A white dial can be specified if required. The standard scale is based on the vu 'A' scale but the 'B' scale is also available.

## Zero Adjuster

Normally positioned on the front of surface mounted styles (M and B types) and on the rear of behind panel styles (W and WF types). Other options may be specified.

## Operating Temperature

-25°C to +55°C

## Illumination

Comprehensive options are available.

- Overhead - available for W and WF styles. Using 6mm festoon style lamp.
- Light box - available for all styles for types 29 and 39. Using either festoon or T1½ flanged lamps.
- LED Illumination - internal LED illumination is also available for all sizes and types.

## Terminals

6mm tabs are supplied as standard but threaded studs or flying leads are available

## Key Features

- Flexible styling – 3 sizes each in four styles
- High performance at affordable prices
- Illumination Options

Audio Level Presenter

For more information please contact us:

Sales: [www.sifam.don-audio.com](http://www.sifam.don-audio.com)



A division of Sifam Tinsley Precision Instrumentation Ltd



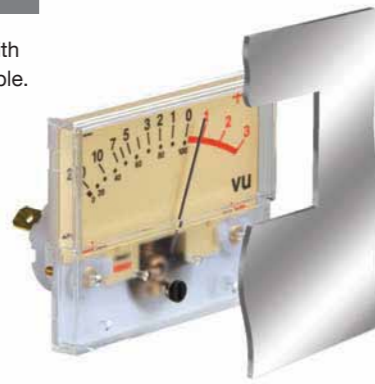
A division of Sifam Tinsley Precision Instrumentation Ltd

# Audio Level Presenter

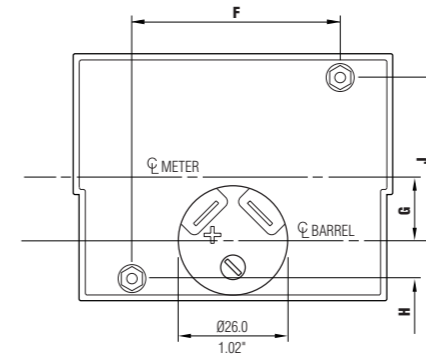
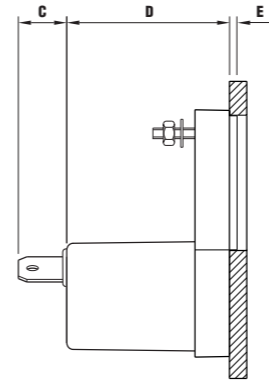
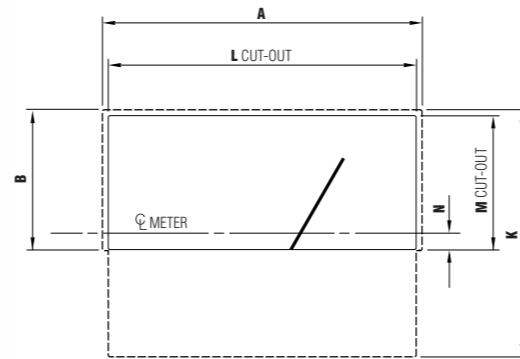
## Presenter Style W

For back of panel mounting with only the scale and pointer visible.

Types: **AL19W, AL29W, AL39W**



Meter barrel cut out 27.0mm/1.06"  
Fixing studs M2.5x10.0mm/0.39"  
(except type 19: M2)

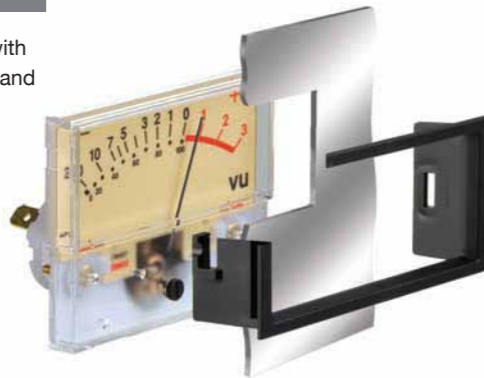


	19W		29W		39W	
	mm	inches	mm	inches	mm	inches
A	43.9	1.73	76.1	3.00	94.0	3.70
B	21.0	0.82	33.3	1.31	41.9	1.65
C	11.5	0.45	11.5	0.45	11.5	0.45
D	31.2	1.23	30.5	1.20	30.2	1.18
E	7.5	0.30	10.0	0.39	11.0	0.43
F	32.0	1.26	47.8	1.88	57.2	2.25
G	4.7	0.18	15.0	0.59	20.9	0.78
H	Fixing studs on horizontal plan, 7.0mm/0.28" above barrel CL.		9.7	0.38	8.6	0.34
J			38.0	1.50	48.5	1.90
K	37.9	1.49	58.8	2.32	74.0	2.91
L	42.4	1.67	73.7	2.90	91.5	3.60
M	20.2	0.79	32.3	1.27	40.5	1.59
N	2.0	0.08	3.9	0.15	5.70	0.22

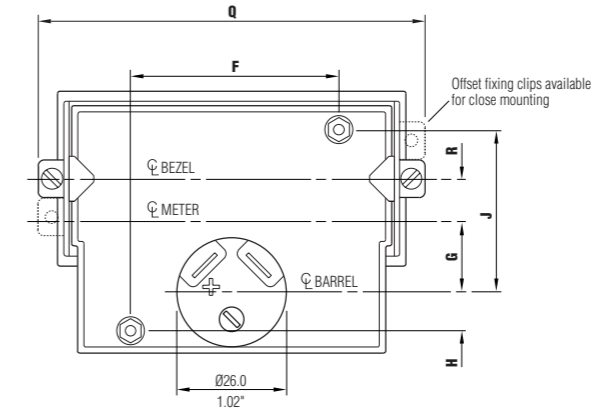
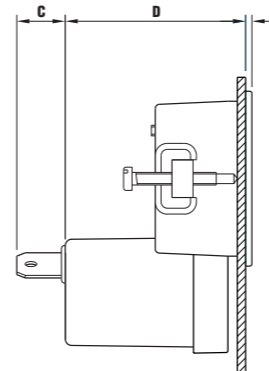
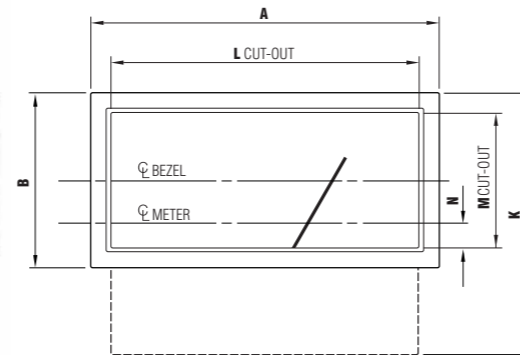
## Presenter Style WF

For back of panel mounting with bezel and with only the scale and pointer visible.

Types: **AL19WF, AL29WF, AL39WF**



Max panel thickness 4.0mm/0.16"  
(except type 19: 3.0mm/0.12")  
Meter barrel cut out 27.0mm/1.06"  
Fixing studs M2.5x10.0mm/0.39"  
(except type 19: M2)



	19WF		29WF		39WF	
	mm	inches	mm	inches	mm	inches
A	49.2	1.94	82.8	3.26	101.0	3.98
B	27.0	1.06	41.6	1.64	50.5	1.99
C	11.5	0.45	11.5	0.45	11.5	0.45
D	40.8	1.61	42.9	1.69	43.4	1.71
E	1.5	0.06	1.5	0.06	1.6	0.06
F	32.0	1.26	47.8	1.88	57.2	2.25
G	6.10	0.24	16.7	0.66	28.7	1.13
H	Fixing studs on horizontal plan, 7.0mm/0.28" above barrel CL.		9.70	0.38	8.6	0.34
J			38.0	1.50	48.5	1.90
K	40.6	1.60	62.2	2.45	76.1	2.99
L	47.0	1.85	80.0	3.26	98.0	3.86
M	24.0	0.95	37.0	1.46	46.0	1.81
N	5.2	0.20	8.10	0.32	10.2	0.40
Q	58.5	2.30	90.6	3.57	108.6	4.28
R	6.8	0.27	10.3	0.41	12.8	0.50

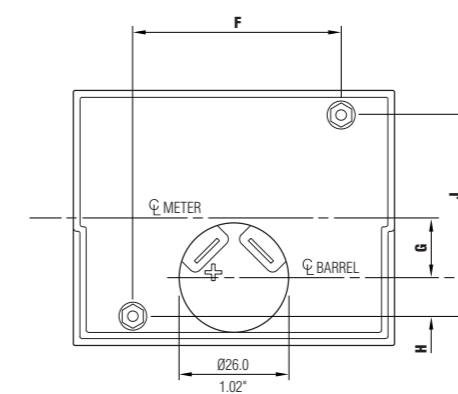
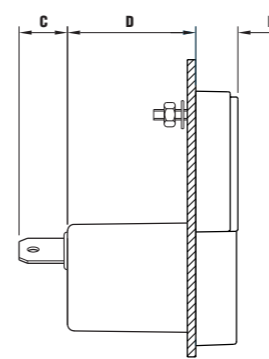
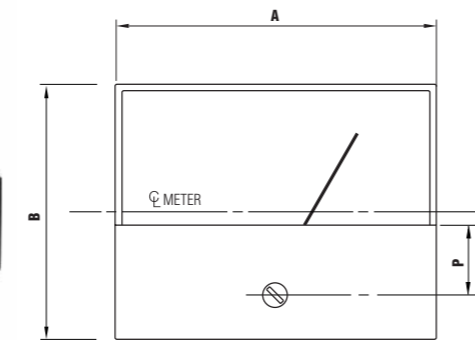
## Presenter Style M

For front of panel mounting with lower mask.

Types: **AL19M, AL29M, AL39M**



Max panel thickness 6.0mm/0.24"  
Meter barrel cut out 27.0mm/1.06"  
Fixing studs M2.5x10.0mm/0.39"  
(except type 19: M2)



	19M		29M		39M	
	mm	inches	mm	inches	mm	inches
A	43.9	1.73	76.1	3.00	94.0	3.70
B	38.8	1.53	60.3	2.37	74.0	2.91
C	11.5	0.45	11.5	0.45	11.5	0.45
D	31.2	1.23	30.5	1.20	30.2	1.18
E	7.5	0.30	10.0	0.39	11.0	0.43
F	32.0	1.26	47.8	1.88	57.2	2.25
G	4.2	0.17	14.2	0.56	20.0	0.79
H	Fixing studs on horizontal plan, 7.0mm/0.28" above barrel CL.		9.7	0.38	8.6	0.34
J			38.0	1.50	48.5	1.90
P	9.9	0.39	16.1	0.63	20.4	0.80

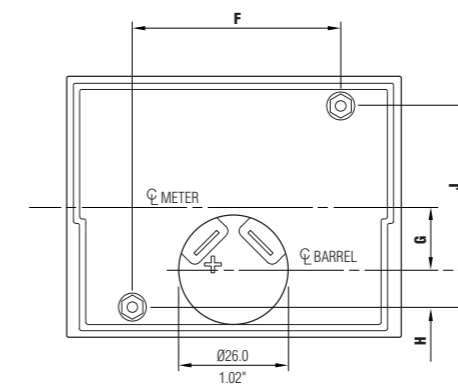
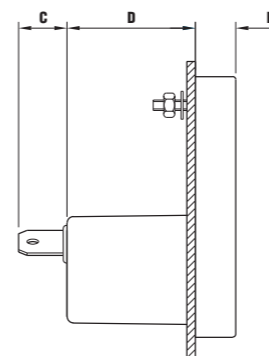
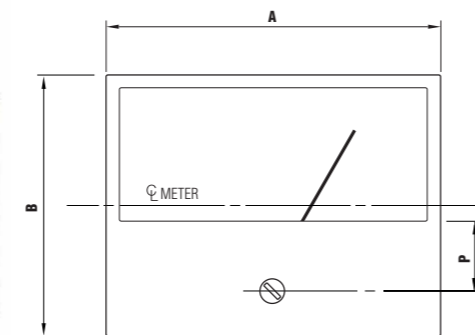
## Presenter Style B

For front of panel mounting with full bezel

Types: **AL19B, AL29B, AL39B**



Max panel thickness 6.0mm/0.24"  
Meter barrel cut out 27.0mm/1.06"  
Fixing studs M2.5x10.0mm/0.39"  
(except type 19: M2)



	19B		29B		39B	
	mm	inches	mm	inches	mm	inches
A	46.0	1.81	79.5	3.13	97.5	3.84
B	40.0	1.57	61.9	2.44	76.4	3.01
C	11.5	0.45	11.5	0.45	11.5	0.45
D	31.2	1.23	30.5	1.20	30.2	1.18
E	7.50	0.30	10.0	0.39	11.0	0.43
F	32.0	1.26	47.8	1.88	57.2	2.25
G	4.8	0.19	15.0	0.59	20.8	0.82
H	Fixing studs on horizontal plan, 7.0mm/0.28" above barrel CL.		9.7	0.38	8.6	0.34
J			38.0	1.50	48.5	1.90
P	9.9	0.39	16.1	0.63	20.4	0.80

