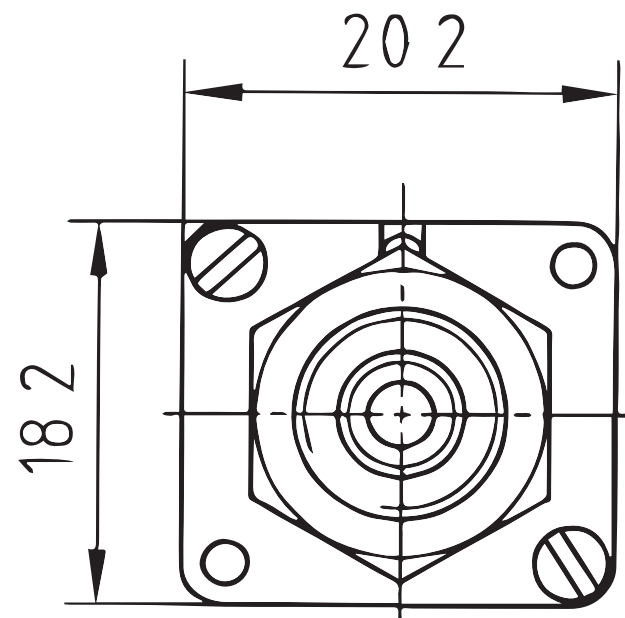
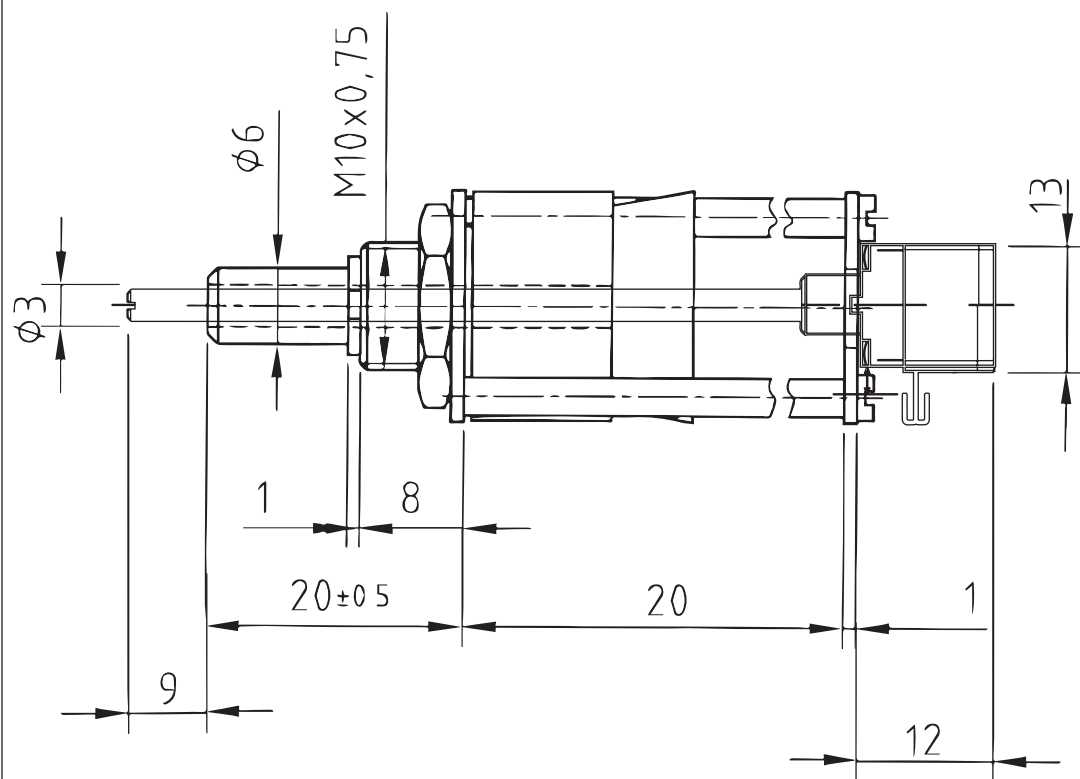




ELMA
Your Solution Partner

Don-Audio - Elma Supplier Partner
elma@don-audio.com, www.don-audio.com/elma

Model: DA01HP



Specifications

- Outer - Switch
- Indexing angle 30°
 - Shorting (Make before brake)
 - 3um gold-plated

- Inner - Potentiometer
- 295° angel
 - Conductive Plastic Resistance Element
 - Operation Temp.: -55°C to + 125°C
 - Rotational Life: 1,000,000 cycles
 - IP Rating: IP66

Version: 1.0

Date 2014