

X4-Audio Series

Innovative relay attenuator with IR remote, stackable up to 6 stereo modules

Features

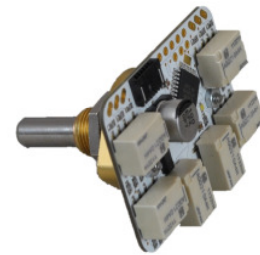
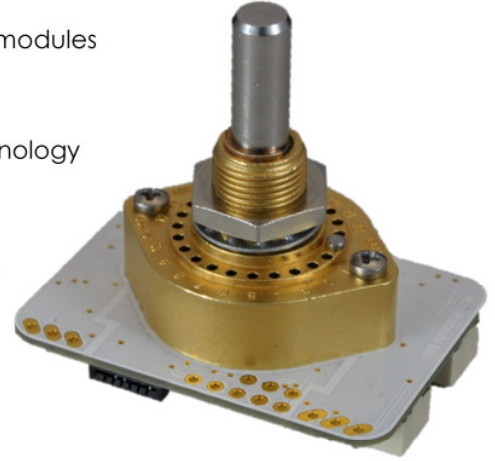
- 24 or 64 switching positions, featuring contactless hall sensing technology
- Smooth, precise switch feel
- 6 relay attenuation stages using quality Panasonic latching relays
- Low noise, high-precision thin film resistors
- 5k, 10k, 25k, 50k, 100k, 250k and 500k ohms standard resistor values
- With IR remote detector input
- Stackable to up to 6 stereo modules (12 channels)
- Optional integrated shaft push button "mute" function

Possible Customization

- Resistor values and tapers
- Shaft shape
- IR protocol and codes
- Circuitry, function and cable interface solutions

Applications

- High-end home and theater audio
- Mixing desks and studio consoles

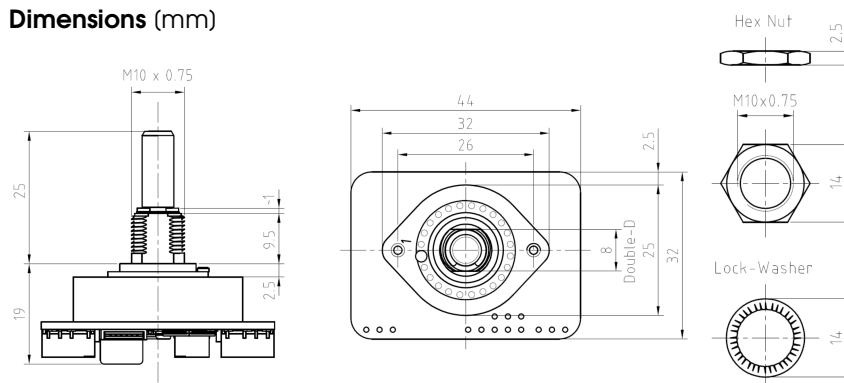


RoHS (2002/95/EC)

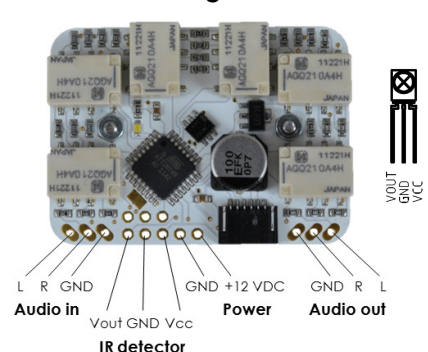
Description

X4-Audio is a high performance relay volume control attenuator that incorporates 6 relay driven ladder stages. The attenuation is ranging over 24 or 64 positions (the 64 positions version comes without indexing). The attenuation function can be controlled by the front panel rotary switch or by an IR remote unit. The optionally available IR detector can be mounted to the front panel and directly connected to the board by the user. When returning to selector switch operation after the attenuation level has been changed by IR remote, the volume will be automatically and smoothly readjusted to the current rotary switch position. The contactless Hall-Effect Sensor rotary switch control provides enhanced system reliability and long operational life. Non-indexing, 1.5 or 4 Ncm switching torques are available as well as an optional pushbutton for mute function.

Dimensions (mm)



Connection Diagram



dB Attenuation

24 Positions

Switch Position	1	2	3	4	5	6	7	8	9	10	11	12	13	14	15	16	17	18	19	20	21	22	23	24
Attenuation (dB)	-Off	-77.5	-70	-62.5	-55	-47.5	-42.5	-40	-37.5	-35	-32.5	-30	-27.5	-25	-22.5	-20	-17.5	-15	-12.5	-10	-7.5	-5	-2.5	0
Step Size (dB)		7.5	7.5	7.5	7.5	5	2.5	2.5	2.5	2.5	2.5	2.5	2.5	2.5	2.5	2.5	2.5	2.5	2.5	2.5	2.5	2.5	2.5	2.5

64 Positions (no indexing); ranging from -89.6 to 0 dB with 1.4 dB steps

